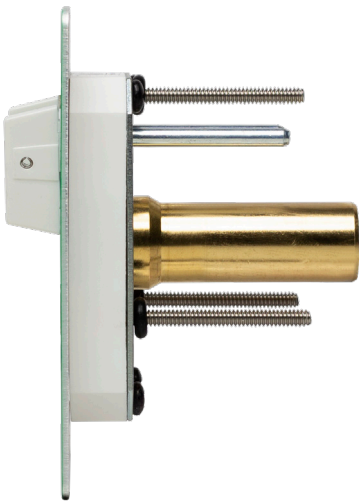


Extended Latch-Valve Assembly Chemetron



FRONT



SIDE

General Specifications:

The Extended Latch-Valve Assembly shall accommodate a 3/4" to 1-1/4" wall thickness.

A large color coded front plate shall be used for ease of gas identification and aesthetic appeal.

Extended Latch-Valve Assemblies are available for Ohmeda Compatible, DISS, Puritan-Bennet Compatible, Chemetron Compatible and Oxequip Compatible Outlets.

All Extended Latch-Valve Assemblies shall be cleaned and degreased for medical gas service, factory assembled and tested.

Flow rate exceeds the requirements of NFPA and CSA.

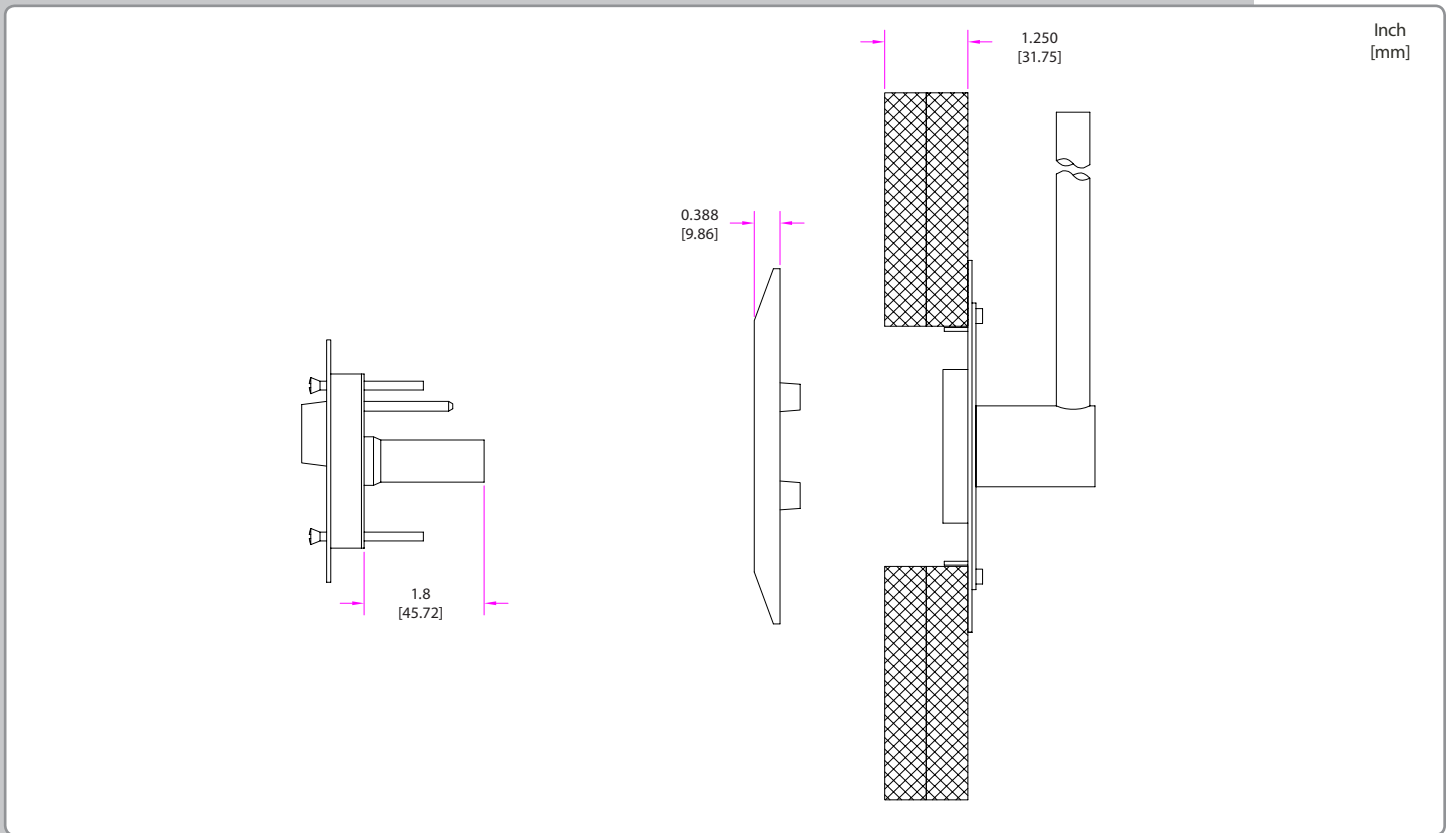
Extended Latch-Valve Assemblies are UL Listed and ETL Listed.

Amico products comply with NFPA 99 and CSA Z7396.1.

Outlets are also available for M.R.I. use.

Project

Technical Specifications



Model Numbers

O-FASE-XX-L-GAS

The Letters "XX" Defines the Latch-Valve Assembly Type:

DISS	=	DI
Ohmeda Compatible	=	QD
Chemetron Compatible	=	CH
Puritan-Bennett Compatible	=	PB
Oxequip/Medstar Compatible	=	OX

The Letter "L" Defines the Language:

English (NFPA) OXY, AIR, VAC & WAG	=	U
English (CSA/ISO)	=	E
French (CSA/ISO)	=	F

The Word "GAS" Defines the Type of Gas:

Oxygen	=	OXY
Medical Air	=	AIR
Carbon Dioxide	=	CO2
Nitrous Oxide	=	N2O
Medvac	=	VAC
Waste Anesthetic Gas Disposal (NFPA)	=	WAG
Anesthetic Gas Scavenging System (CSA)	=	AGS

M.R.I. Model Numbers

O-FAME-XX-L-GAS

NOTE:

Trim and Rough-in sold separately.



954-725-1470 Ext. 403